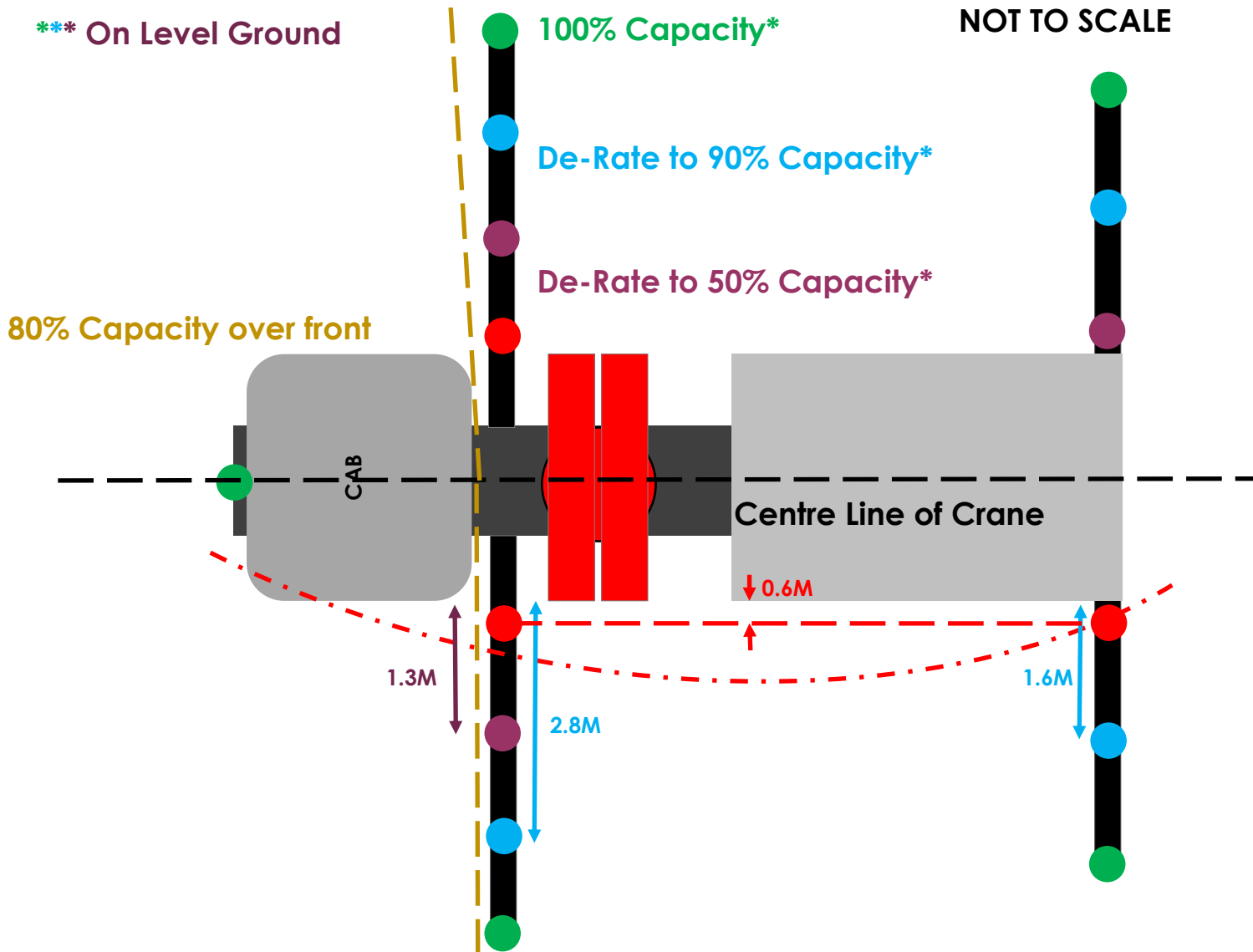






## Fassi F2150RA.2.28 - Variable Stabilisers



The stabilisers can be extended individually (do not have to be extended equally), the Fassi Computer will calculate the duty when lifting directly over each leg in sectors.

When either of the stabilisers are 'straight down' (demonstrated in red) on the non-lift side, capacity is reduced to 30% over that entire lift side and no capacity over the stabiliser (red dotted semi-circle).

Once the slew angle is past the centre line, the stabilisers on the other side dictate the duty. Full duty on the lifting side is possible with the offside stabilisers 'straight down'.



## Fassi F2150RA.2.28 - Weight and Loadings

Gross Vehicle Weight - 38.9te Across 5x Axles

Maximum Stabiliser Reaction - 43te.

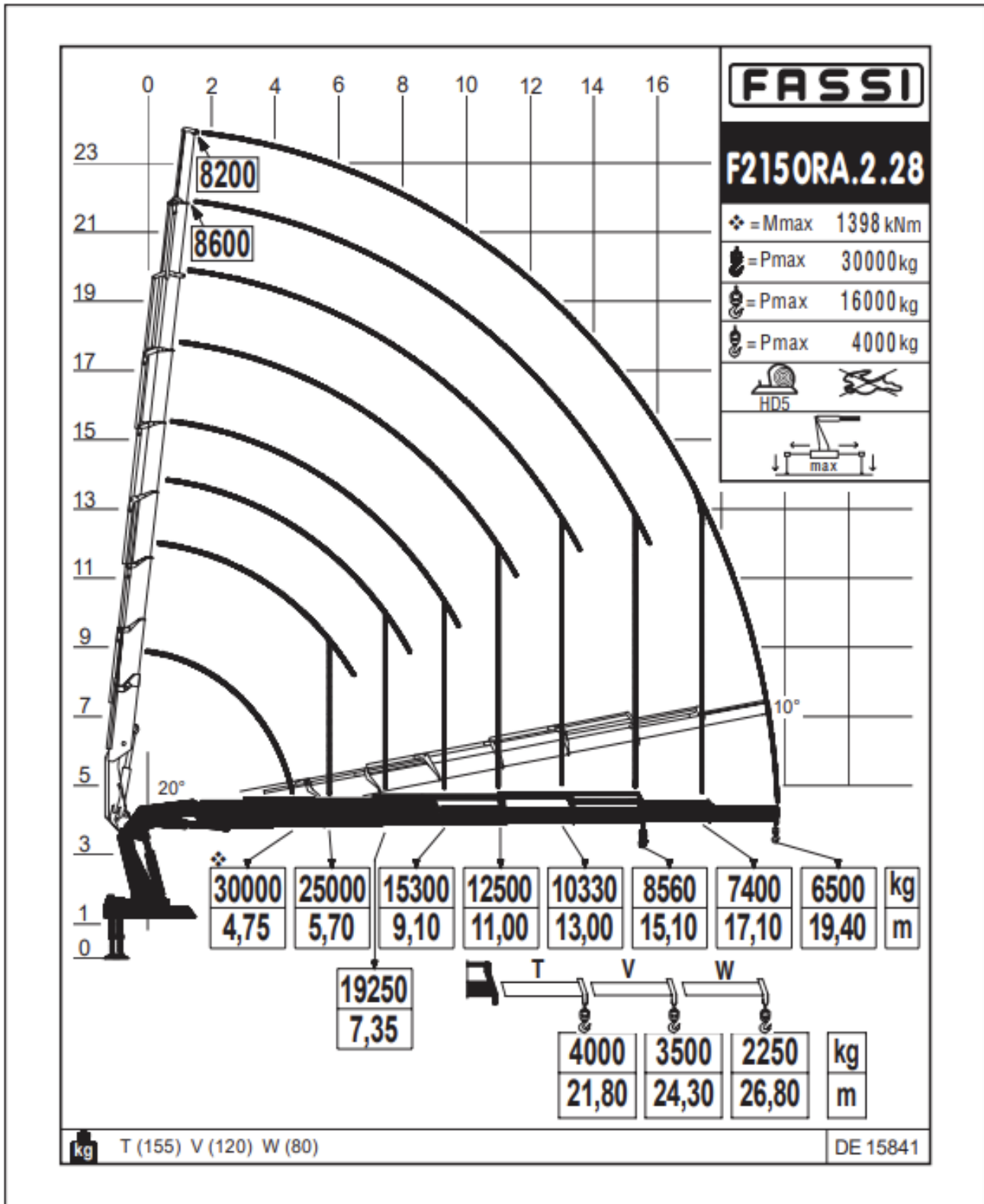
Standard Mats Carried are 1m x 1m Nylocast \*

= Resulting loading of 43te per msq

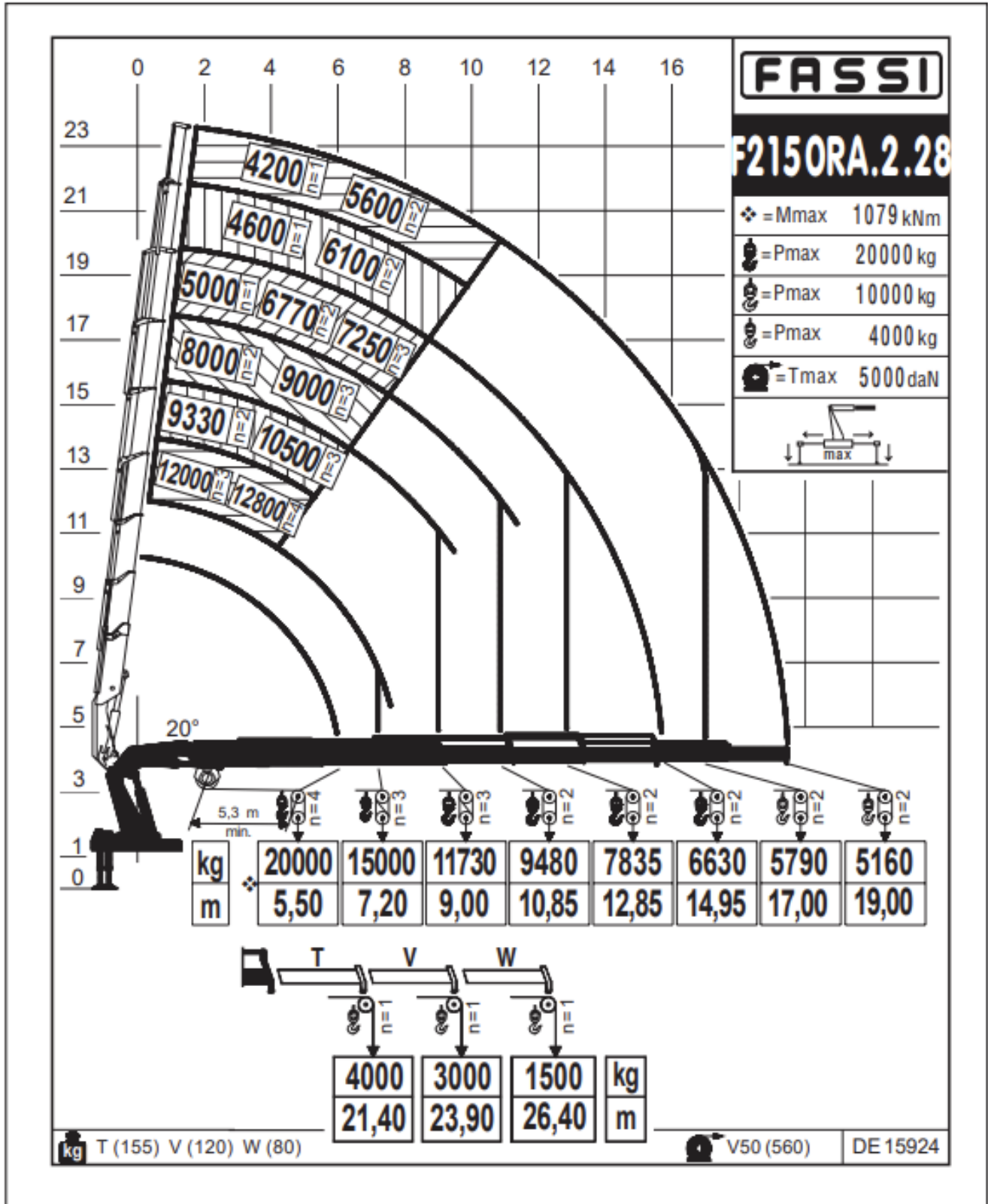
	F2150RA.2	daN	43064	mm	500	daN/cm <sup>2</sup>	21.9
		lbf	96812	inch	19.685	psi	318.10

\*We can supply larger mats to reduce the loadings down further on request

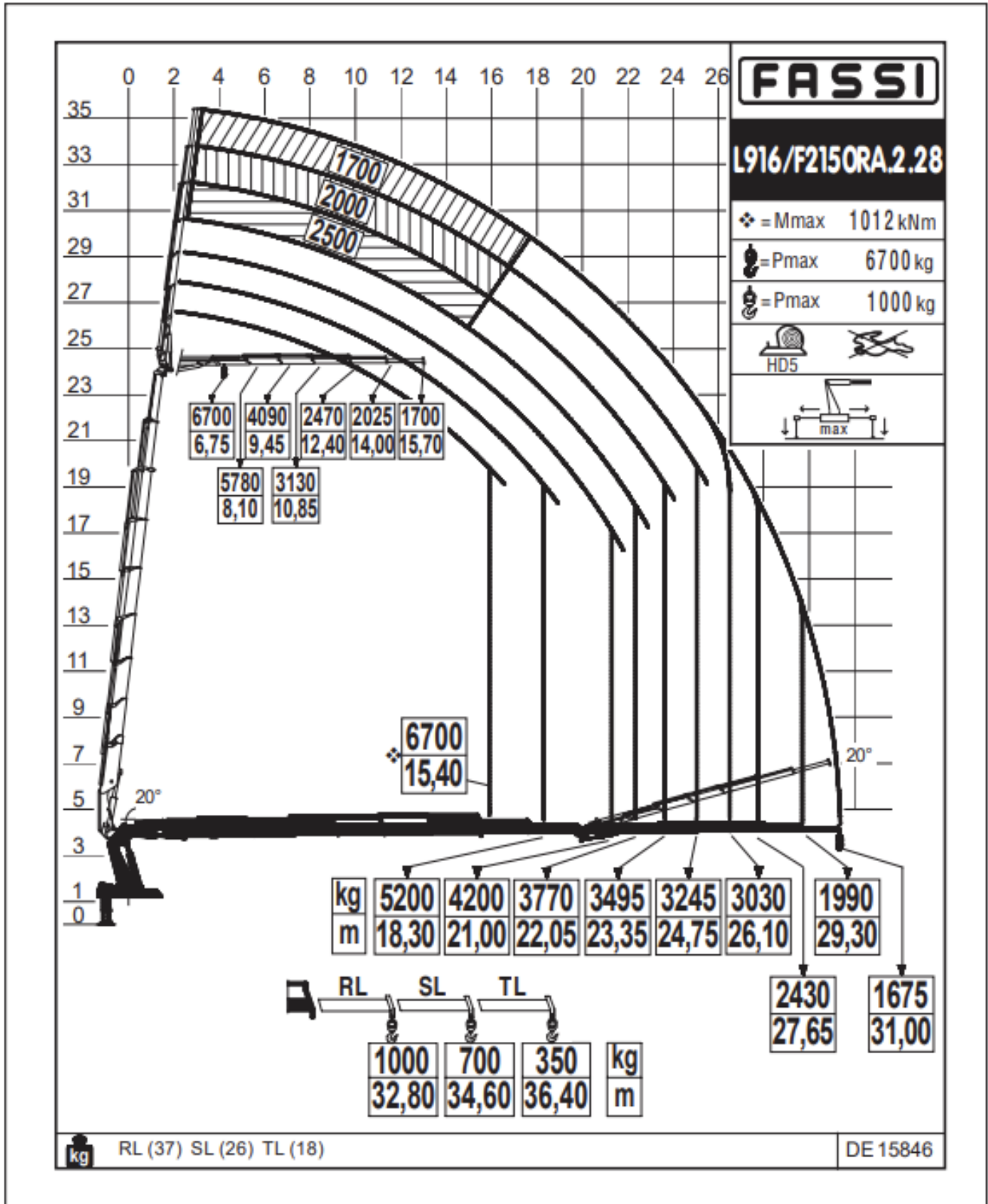
**Fassi F2150RA.2.28 - Main Boom Only**



**Fassi F2150RA.2.28 - Main Boom + Winch**



**Fassi F2150RA.2.28 - Fly Jib Only**





**Fassi F2150RA.2.28 - Fly Jib + Winch**

